

# Water meter WZ



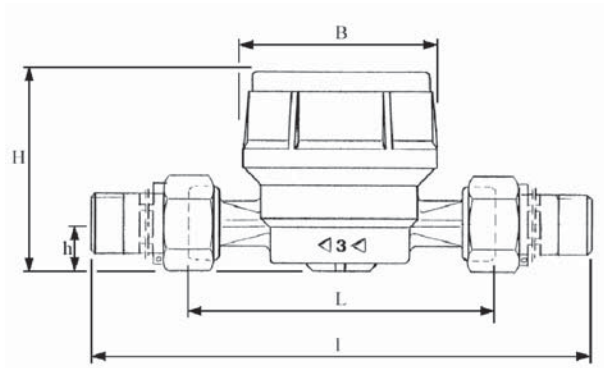
## Description

- Single-jet surface-mounted meter
- Installation position horizontal, vertical, down pipe and ascending pipe
- Metrological classification: B horizontal, A vertical
- Totalizer protected by separate dry and wet areas
- Sliding friction optimized materials
- Meter housing rotatable by 360°
- 8-digit roller counter with 3 decimal places
- With PTB and EC-approval

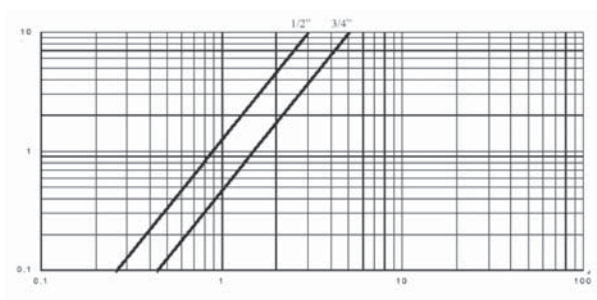
## Interface

### Pulse output

- Pulse valance 1 Imp./10 l
- Reed contact with pulse output
- Connecting cord 1 m



## Typical pressure drop curve



Volume device				
Nominal width (DN)	15	15	15	20
Nominal flow (Q <sub>n</sub> )	1,5 m³/h	1,5 m³/h	1,5 m³/h	2,5 m³/h
Connection external thread - meter	3/4 inch	3/4 inch	1 inch	1 Zoll
Connection external thread - thread	1/2 inch	1/2 inch	3/4 inch	3/4 Zoll
Dimensions (L x H x B)	80 x 72 x 70 mm	110 x 72 x 70 mm	130 x 72 x 70 mm	130 x 77 x 70 mm
Weight	0,45 kg	0,5 kg	0,6 kg	0,6 kg
Order information		Item No.		
WZK cold 30° C, „Made in Germany“	75122576	75122578	75122574	75122564
WZW warm 90° C, „Made in Germany“	75122577	75122579	75122575	75122565
WZK-Imp cold 30° C, pulse, „Made in Germany“	75300115	75300215	75300315	75300125
WZW-Imp warm 90° C, pulse, „Made in Germany“	75310115	75310215	75310315	75310125
Please visit our products website for detailed technical informations, drawings and curves.				
Accessory		Item No.		
Insulating shell small (see page 78)	75120009	75120009	75120010	75120010

Changes, errors and missprints excepted. Products on pictures could include optional parts and modules which are not seperately mentioned.

