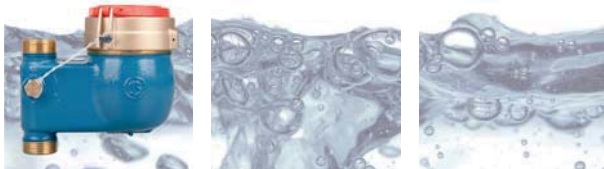


# Multi-jet wet rotator meter MNK/s

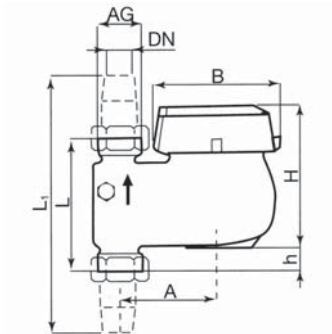
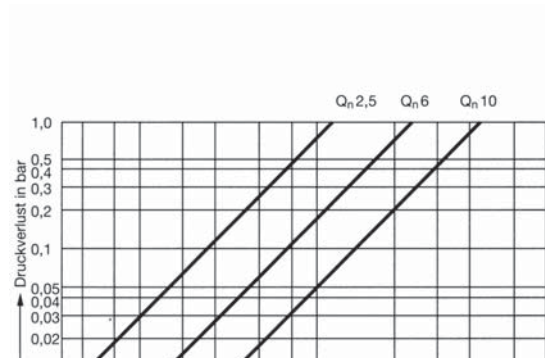


## Description

- Multi-jet wet-rotator
- Installation position: ascending pipe (down pipe on request)
- Metrological classification: A/R40 (from  $Q_n=6/Q_3=10$  Standard B/R80)
- Sliding friction optimized materials
- Version with WVG-Housing
- Specifications in accordance with DIN 19648 Teil 3
- Operating pressure PN 16 in accordance with DIN 2401
- Stud input with strainer for easy cleaning without breaking the calibration seal
- 5-digit roller counter with 4 decimal places
- With PTB and EC-approval



## Typical pressure drop curve



Volume device				
Nominal width (DN)	20	20	25	40
Nominal flow (Qn)	1,5 m <sup>3</sup> /h	2,5 m <sup>3</sup> /h	6 m <sup>3</sup> /h	10 m <sup>3</sup> /h
Nominal flow (Q <sub>3</sub> ) MID	2,5 m <sup>3</sup> /h	4 m <sup>3</sup> /h	10 m <sup>3</sup> /h	16 m <sup>3</sup> /h
Connection external thread - meter	G 1 B	G 1 B	G 1 1/4 B	G 2 B
Connection external thread - thread	R3/4 Zoll	R3/4 Zoll	R 1 Zoll	R 1 1/2 Zoll
Length (L)	105 mm	105 mm	150 mm	200 mm
Length with thread (L1)	203 mm	203 mm	268 mm	338 mm
Height (H)	118 mm	118 mm	130 mm	147 mm
Height (h)	18 mm	18 mm	22 mm	46 mm
Width (A)	82 mm	82 mm	95 mm	120 mm
Width (B)	98 mm	98 mm	101 mm	136 mm
Weight without thread	1,9 kg	1,9 kg	3,2 kg	6,3 kg
Weight with thread	2,3 kg	2,3 kg	3,8 kg	7,5 kg
Order information		Item No.		
MNK/s 30 °C	75122684	75122680	75122683	75122682

MNK/s Qn 6,0 also deliverable with external thread 1 1/2" in accordance with DIN ISO 19648.

Please visit our products website for detailed technical informations, drawings and curves.

