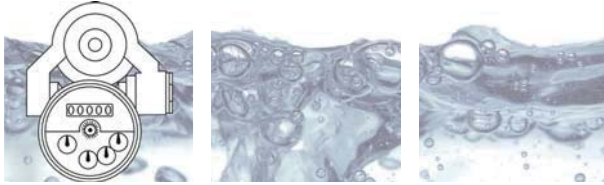
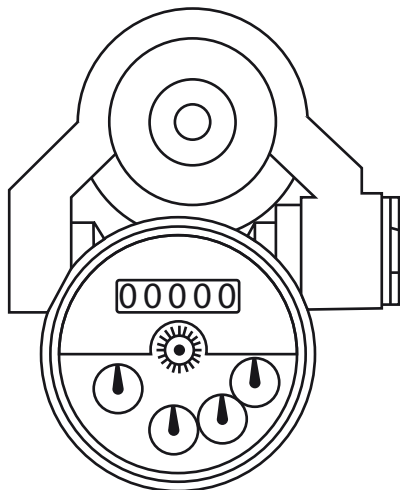


Bath water meter BWZ



Description

- Single-jet dry-rotor
- Installation position horizontal, vertical, down pipe and ascending pipe
- Metrological classification: B horizontal, A vertical
- Sliding friction optimized materials
- Elegant design and smallest dimensions
- Meter housing rotatable by 360°
- 8-digit roller counter with 3 decimal places
- Little storage space due to usage of standard single-jet meter with 80 mm length
- Compensation piece 55 mm available
- With PTB and EC-approval



Volume device	
Nominal width (DN)	15
Nominal flow (Q _n)	1,5 m³/h
Connection thread	1/2 inch
Dimensions (L x H x B)	80 x 72 x 70 mm
Weight	0,4 kg
Order information	
BWZ cold 30 °C	75160115
BWZ warm 90 °C	75160215
Compensation piece 55 mm	220049

Please visit our products website for detailed technical informations, drawings and curves.

Changes, errors and missprints excepted. Products on pictures could include optional parts and modules which are not seperately mentioned.

