

Three-phase-meter //EcoCount® R



// Description

- Electronic three-phase- and measuring converter meter
- For 4 phase networks
- Measuring converter meter for 5 A and 1 A current converters
- Mechanical step counter
- Precision class 1 and 2 in accordance with IEC 1036
- Useable in all positions
- Installation on DIN-rail in accordance with EN 50022 (TS 35)
- For consumer box installation
- Housing-integrated clamping cover
- Pulse output as S0-interface in accordance to DIN 43864 (27 V; 27 mA)
- Pulse valence can be set in factory optionally
- Optional with integrated M-bus interface
- MID
- Cable clamps max. 16,0 mm², Pulse clamps max. 1,5 mm²

// Interfaces

S0-Pulse output DIN 43864

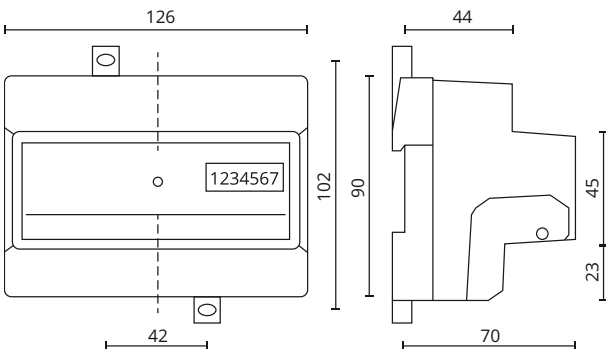
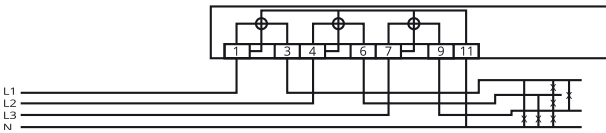
Pulse length	range varied by type 30 - 100 ms
	Standard: 100 ms
Pulse valence:	
5(65)A	Standard: 100 Imp./kWh
5//1A	Standard: 1.000 Imp./kWh
	Primary: 1 Imp./kWh
Capacitance	max. 27 V DC; 100 mA

M-Bus interface EN 13757-2, -3

Addressing:	Primary address = 0
	Secondary address = serial number
Baud rates:	max. 9.600 Baud

Data transmission:

- Manufacturer ID
- Energy counter
- Media
- Status
- Instantaneous power



Technical Data	// EcoCount® R	
System	4-conductor	4-conductor
Voltage (U)	3x 230 V / 400 V	
Current (I)	5 (65) A	5//1 A
Frequency (f)	50 Hz	
Counter	6/1	5/2
Precision	1 %	
Self consumption (Ue)	< 1,6 VA per phase	
Self consumption (Ie)	< 0,5 VA per phase	
Temperature range (Tr)	-20 ... +50° C	-20 ... +50° C
Protection class	IP 20	
Weight	ca. 0,5 kg	ca. 0,5 kg
Dimensions (W x H x D)	(7 TE) 126 x 90 x 70 mm	
Order information	Item No.	
// EcoCount® R (S0, MID)	32220215	32220205
// EcoCount® R (S0, calibrated)	32220415	32220405
Further variations on request		
1x 100 V, 3x 110 V, 3x 400 V und 3x 500 V, 3x 58/100 V, 3x 63/110 V, 3x 290/500 V		

Accessory	Item No.	
Case installation frame up to 8 TE (see page. 35)	4570	4570
Pulse converter IC-2 (see page 141)	4611	4611

