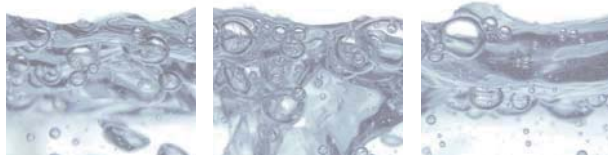


Woltman compound meter WPV



Description

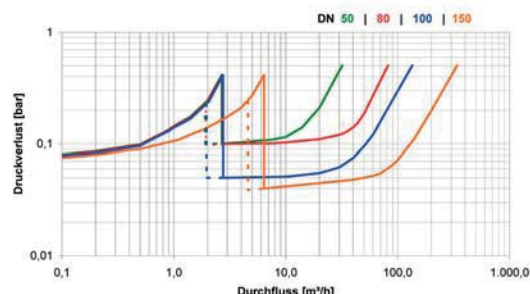
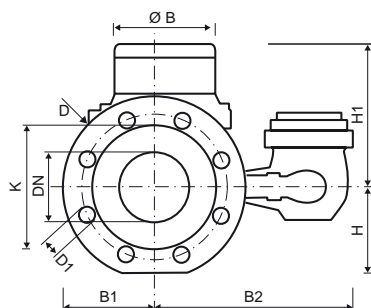
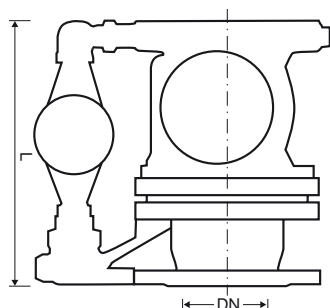
- Main meter with calibratable and exchangeable measuring insert
- Horizontal installation
- Bypass meter on the right or left
- No measuring errors in the switch-over range
- Good long-term measuring accuracy
- Complete head unit with counter and sensors can be rotated by 350° for easier reading
- In order to secure a safe switch-over the Woltman WPV A needs a minimum ingoing pressure of 0.6 bar

Interfaces

Pulse output

- Pulse generation via reed contact
 - DN 50 - 100: 100 l/Imp.
 - DN 150 - 200: 1.000 l/Imp.
- Pulse generation by light barrier
 - DN 50 - 100: 1 l/Imp.
 - DN 150 - 200: 10 l/Imp.
- Connection cord 2 m
- Special versions on request

Typical pressure drop curve



Volume device	DN 50	DN 80	DN 100	DN 150	DN 200
Nominal width (DIN ISO 4064) (Q_n)	15 m³/h	40 m³/h	60 m³/h	150 m³/h	250 m³/h
Size of sub meter (Q_n)	2,5 m³/h	2,5 m³/h	2,5 m³/h	10 m³/h	10 m³/h
Transitional quantity of flow ascending pipe / down pipe	2,2 m³/h / 1,0 m³/h	2,3 m³/h / 1,5 m³/h	2,3 m³/h / 1,5 m³/h	6,2 m³/h / 4,8 m³/h	10 m³/h / 6 m³/h
Length acc. DIN 19625 (L)	270 mm	300 mm	360 mm	500 mm +/- 15 mm	1.200 mm +/- 15 mm
Total height (H + H1)	198 mm	214 mm	246 mm	347 mm	422 mm
Flange diameter (D)	165 mm	200 mm	220 mm	285 mm	340 mm
Bolt circle diameter (K)	125 mm	160 mm	180 mm	240 mm	295 mm
Height measuring set	225 mm	275 mm	275 mm	475 mm	475 mm
Width (B1 + B2)	275 mm	330 mm	330 mm	433 mm	495 mm
Bolt hole diameter (D1)	18 mm	18 mm	18 mm	22 mm	22 mm
Number of bolts	4	8 (4*)	8	8	12 (8*)
Weight of complete meter	17,4 kg	25,3 kg	33 kg	68 kg	159 kg
Order information	Item No.				
WPV 30° C	75260115	75260240	75260360	75240150	on request
Please visit our products website for detailed technical informations, drawings and curves.					
Accessory	Item No.				
Flexible leveling piece (see page 77)	290112	(290111*) 290113	290114	290101	on request

* Special order
Changes, errors and missprints excepted.
Products on pictures could include optional parts and modules which are not seperately mentioned.